

## LED Backlit Panel Fixtures JLP SERIES

### FEATURE HIGHLIGHT

- More lumens with less power
- Even Light distribution gives you the right brightness over target area
- Will not glare eyes
- Light weight and Low profile design optimizes handling and packaging space

### EFFICACY OPTION

110 LPW

125 LPW

### SIZE

Imperial 2x4, 2x2, 1x4



### STANDARD FEATURE



### OPTIONAL ENHANCED FEATURE



### MORE POWER SAVINGS WITH SMART SENSOR



Bluetooth™



U-Smart plug-and-play sensor installation bracket ready

WATT	LUMEN	COLOUR TEMPERATURE	TYPE
28 W to 50 W	3,556 LM to 5,750 LM	3500 K 4000 K 5000 K 6500 K	Backlit Panel

### SPECIFICATIONS



#### UL LISTING

Suitable for damp locations IC rated

#### LEDs

Long-life, high-efficacy, micro-power LEDs

#### LIFESPAN

Lumen Maintenance, L70 > 100,000 hours

#### HOUSING

Cold-rolled steel and extruded aluminum

#### LENS

Micro LED enhancer and frosted PMMA

#### FINISHING

Long lasting quality white

#### AMBIENT OPERATING TEMPERATURE

-20°C (-4°F) to 50°C (122°F)

#### DRIVER

Driver includes dimming control wiring for 0-10V dimming systems. The dim-to-off voltage threshold of optional 12V AUX integrated driver ranges from 0.1V to 0.5V

#### FLICKER

Produces no greater than 30 percent flicker at 200 Hz or below when paired with control devices per CEC Title 24 JA10

#### IESNA LM-79 & IESNA LM-80 TESTING

Ever-tie LED luminaires have been tested based on IESNA LM-79 and LM-80 by a third-party laboratory

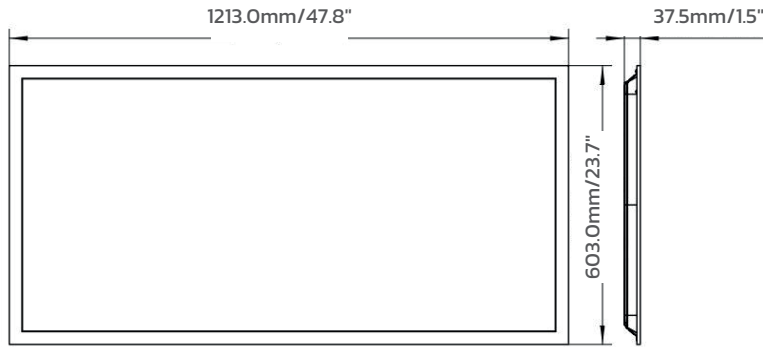
#### OPTIONAL ACCESSORIES (PURCHASED SEPARATELY)

- Recessed ceiling mount kit
- Surface mounting kit
- Suspended cable mounting kit



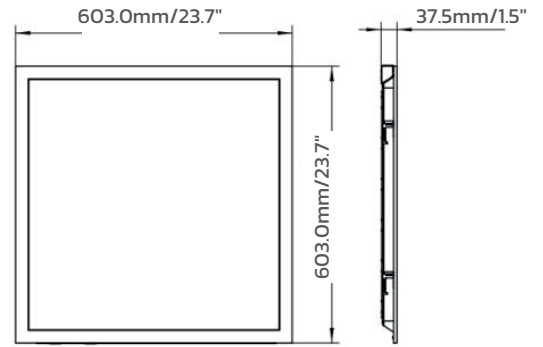
## DIMENSIONS

### 2 x 4 FT



Product Weight : 4.18Kg/9.22lb

### 2 x 2 FT



Product Weight : 2.62Kg/5.78lb

### 1 x 4 FT



Product Weight : 2.01Kg/4.43lb

## PERFORMANCE

2 x 4 FT	DLC 5.1 Premium, 125 LPW					
	46W (Max)			36W		
	3500K	4000K	5000K	3500K	4000K	5000K
Lumens	5750	5796	5842	4500	4536	4572
Efficacy(lm/W)	125	126	127	125	126	127

2 x 4 FT	DLC 5.1 Standard, 110 LPW					
	50W			40W		
	3500K	4000K	5000K	3500K	4000K	5000K
Lumens	5500	5550	5600	4400	4440	4480
Efficacy(lm/W)	110	111	112	110	111	112

2 x 2 FT	36W (Max)			28W		
	3500K	4000K	5000K	3500K	4000K	5000K
	Lumens	4500	4536	4572	3500	3582
Efficacy(lm/W)	125	126	127	125	126	127

2 x 2 FT	40W			30W		
	3500K	4000K	5000K	3500K	4000K	5000K
	Lumens	4400	4440	4480	3300	3330
Efficacy(lm/W)	110	111	112	110	111	112

2 x 2 FT	30W (Max)		
	3500K	4000K	5000K
	Lumens	3750	3780
Efficacy(lm/W)	125	126	127

2 x 2 FT	40W			30W		
	3500K	4000K	5000K	3500K	4000K	5000K
	Lumens	4400	4440	4480	3300	3330
Efficacy(lm/W)	110	111	112	110	111	112

Existing field-adjustable power options:

- 2x4 : 46/40/35, 40/35/20
- 2x2 : 30/25/20
- 1x4 : 30/25/20

Other power values below the Max. available.

Existing field-adjustable power options:

- 2x4 : 50/40/30
- 2x2 : 40/30/25
- 1x4 : 40/30/25

Other power values available.

# BLUETOOTH SENSOR OPTION



## 108 Series PIR Occupancy & Daylight Harvesting Dimming Sensor

This option is able to turn on/off lights based on occupancy and dim power to maintain set brightness according to surrounding ambient light

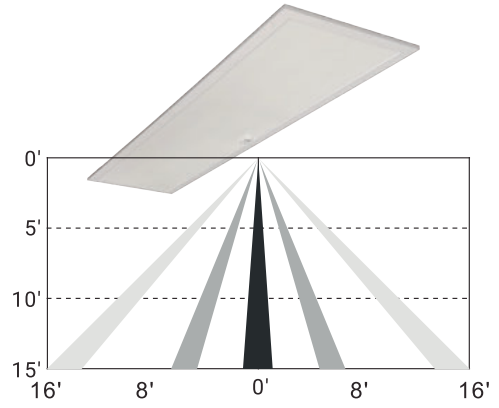
### OPTIONAL ACCESSORIES



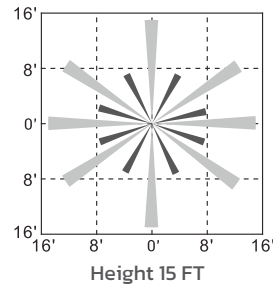
### Energy Monitoring USB Dongle



### Wireless Wall Switch



Detection Range (Side View)



Detection Range (Top View)

