

LED Linear Strip Fixtures JLLW • JLLV SERIES

FEATURE HIGHLIGHT

- Designed for near seamless quick surface or row mounting
- Integrated luminous part fastened to fixture with snaplocks
- Quick luminous part release for EM or sensor installation
- Field-adjustable Power and CCT
- Low voltage bi-level motion sensor available.
- Labor-saving & Cost-effective
- No deformation of diffuser

EFFICACY OPTION

130 LPW

SIZE

2 FT, 3 FT, 4 FT, 8 FT

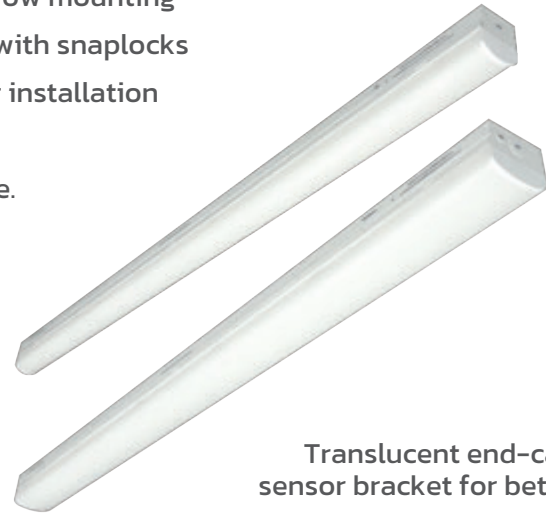
STANDARD FEATURE



OPTIONAL ENHANCED FEATURE



MORE POWER SAVINGS WITH SMART SENSOR



Translucent end-caps and sensor bracket for better esthetics



ETLSN-W



ETLSN-V

WATT	LUMEN	COLOUR TEMPERATURE	TYPE
20 W to 90 W	3,250 LM to 11,880 LM	3500 K 4000 K 5000 K 6500 K	Linear Strip



U-Smart plug-and-play sensor installation bracket ready

SPECIFICATIONS



UL LISTING

Suitable for damp locations

LEDs

Long-life, high-efficacy, micro-power LEDs

LIFESPAN

Lumen Maintenance, L70 > 100,000 hours

DIMMING DRIVER

Driver includes dimming control wiring for 0-10V dimming systems. The dim-to-off voltage threshold of optional 12V AUX integrated driver ranges from 0.1V to 0.5V

HOUSING

Sheet metal stamping

LENS

Frosted PMMA

FINISH

Long lasting white with high durability

IESNA LM-79 & IESNA LM-80 TESTING

Ever-tie LED luminaires have been tested based on IESNA LM-79 and LM-80 by a third-party laboratory

MOUNTING

Surface mounting by screws(not included) is ready, a pair of cover plate of junction box is included

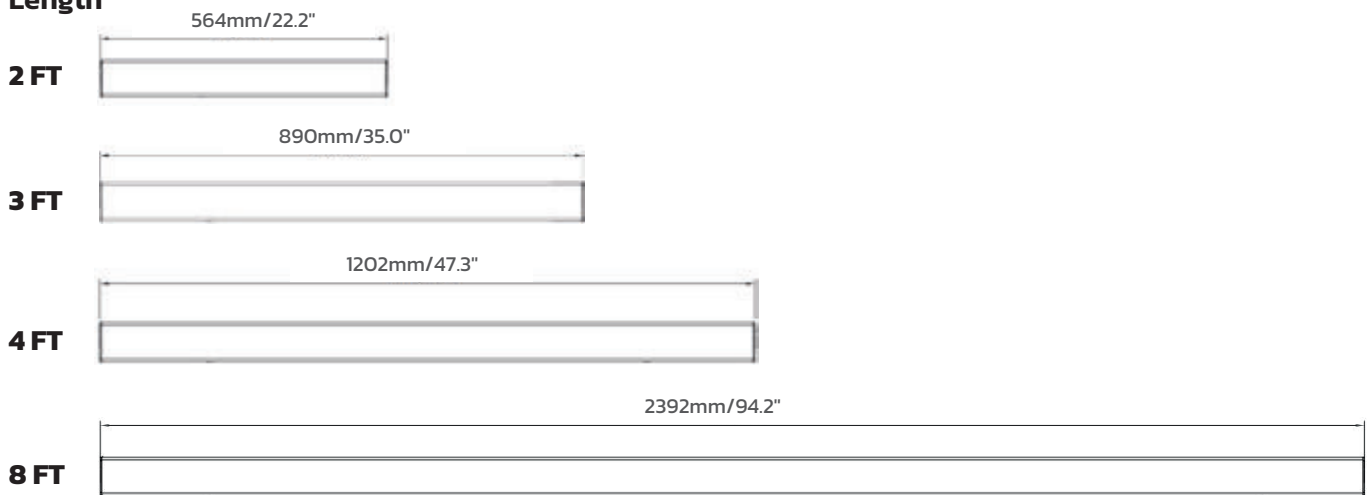
OPTIONAL ACCESSORIES (PURCHASED SEPARATELY)

- Surface mounting kit
- Cable suspending mounting kit
- V-hooks & Chain suspending mounting kit
- Row connector
- Right angle connection kit
- Wire guards, square profile or arc profile optional

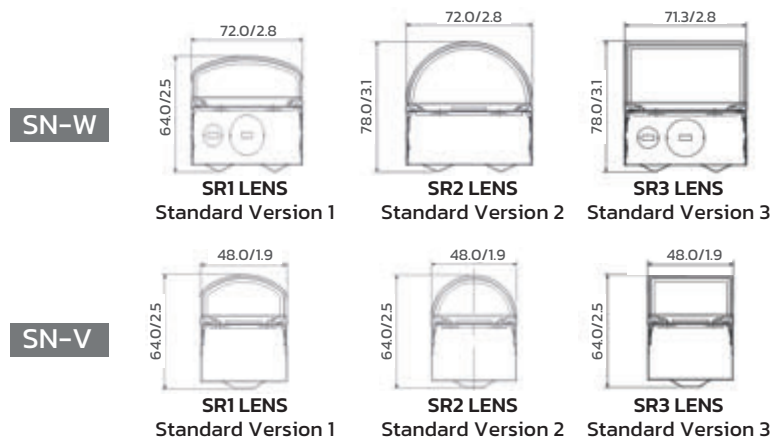


DIMENSIONS

Length



Height & Width (mm/inch)



Product Weight (Kg/lb)

Product Series	2FT	3FT	4FT	8FT
SN-W	1.20/2.65	1.60/3.53	2.00/4.41	3.85/8.49
SN-V	1.10/2.43	1.50/3.31	1.65/3.64	3.20/7.05

PERFORMANCE

Field adjustable Power & CCT

2 FT	20W		
	3500K	4000K	5000K
Lumens	2600	2620	2640
Efficacy(lm/W)	130	131	132

3 FT	25W		
	3500K	4000K	5000K
Lumens	3250	3275	3300
Efficacy(lm/W)	130	131	132

4 FT	30W			35W			45W		
	3500K	4000K	5000K	3500K	4000K	5000K	3500K	4000K	5000K
Lumens	3900	3930	3960	4550	4585	4620	5850	5895	5940
Efficacy(lm/W)	130	131	132	130	131	132	130	131	132

8 FT	65W			75W			90W		
	3500K	4000K	5000K	3500K	4000K	5000K	3500K	4000K	5000K
Lumens	8450	8515	8580	9750	9825	9900	11700	117900	11880
Efficacy(lm/W)	130	131	132	130	131	132	130	131	132

Existing field-adjustable power options:

- 4FT : 45/38/34, 40/30/25, 35/30/25, 30/25/18
- 8FT : 90/75/65, 65/60/55, 54/46/38

Other power options is available.

BLUETOOTH SENSOR OPTION



105 Series PIR Occupancy & Daylight Harvesting Dimming Sensor

This option is able to turn on/off lights based on occupancy and dim power to maintain set brightness according to surrounding ambient light

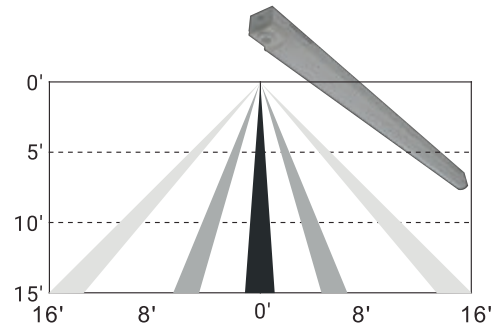
OPTIONAL ACCESSORIES



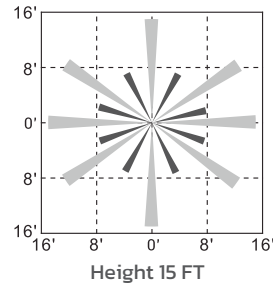
Energy Monitoring USB Dongle



Wireless Wall Switch



Detection Range (Side View)



Detection Range (Top View)

